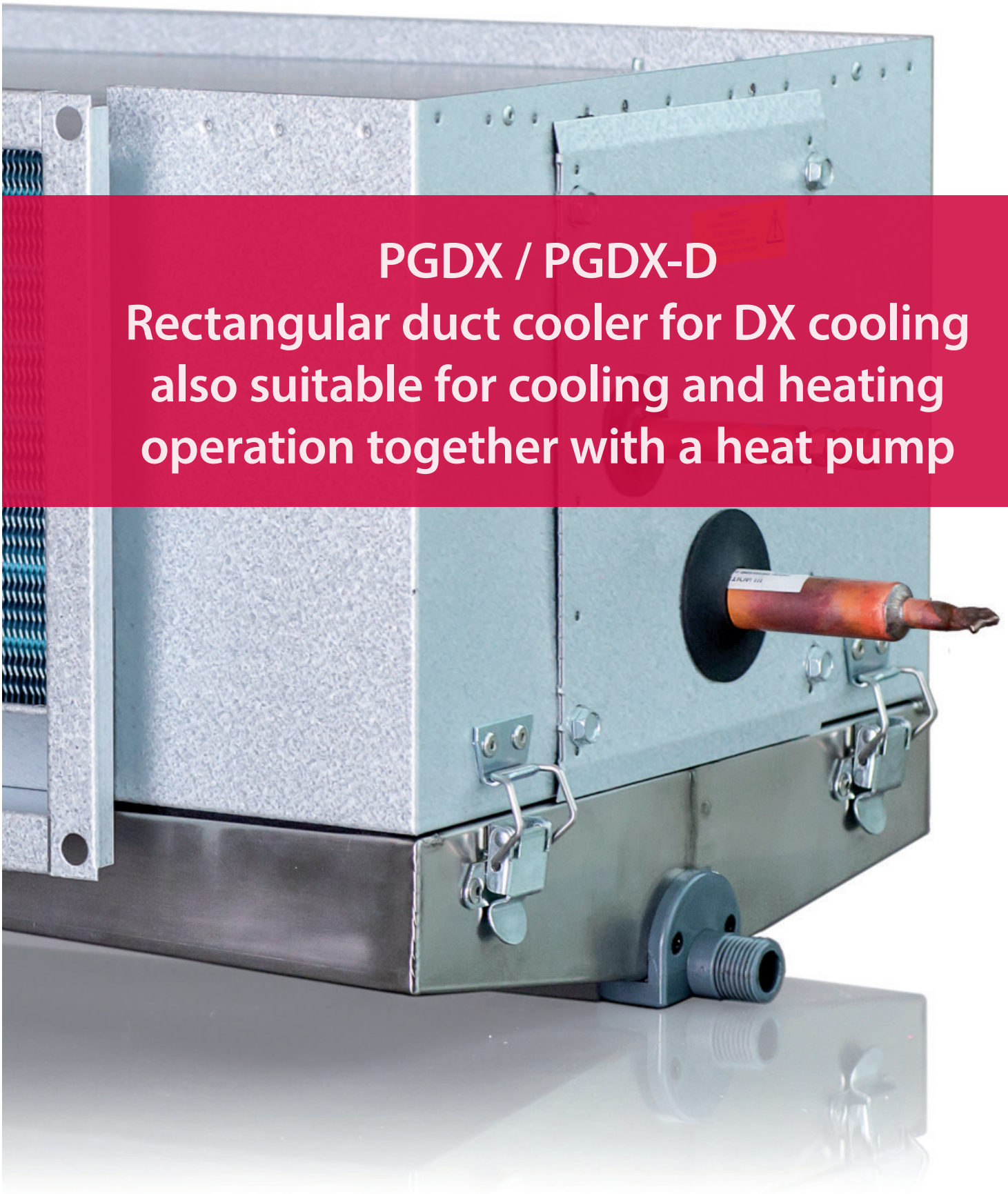


PGDX / PGDX-D

Rectangular duct cooler for DX cooling
also suitable for cooling and heating
operation together with a heat pump



PGDX / PGDX-D

Rectangular duct cooler for DX cooling, also suitable for cooling and heating operation using a heat pump with controller

PGDX duct coolers are used for centralised cooling of the ventilation air in a ventilation system. PGDX duct coolers can also be used in conjunction with a heat pump with controller, which switches between heating and cooling (winter/summer).

- 14 standard sizes in stock
- Same model for left or right mounting
- Stainless steel drip tray for condensation water
- Droplet eliminator can be installed regardless of air direction
- Drip tray is easy to remove for cleaning and inspection
- Fins with hydrophilic coating for improved water runoff
- Coil is easy to access for cleaning via the removable drip tray
- Designed for combined cooling and heating operation using a heat pump with controller



Design

Casing made of aluzinc-coated sheet steel, AZ 185.
Coil with copper pipes and aluminium fins with hydrophilic coating. Stainless steel drip tray for collection of condensation water with G $\frac{1}{2}$ " connection for drain.
Removable drip tray for inspection and cleaning of battery.

Operating Data

Max. operating pressure: 4.29 MPa (42.9 bar)
Test pressure: 4.8 MPa (48 bar)
The batteries have been pressurised and leak tested.

Dimensioning

Dimensioning can easily be achieved with our web-based calculation program VEAB Select (www.veab.com).
If necessary, contact our sales staff for help.

Installation

PGDX duct coolers are intended for installation in horizontal ducts with the air flow in any direction. Supplied pressurised at 2 bar.

Hygiene

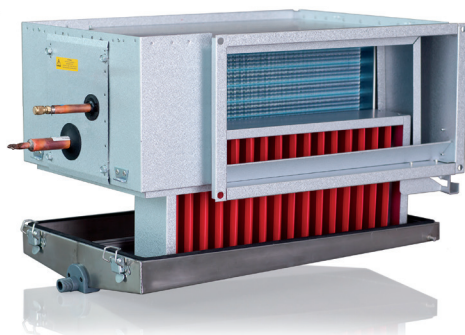
The design, which facilitates cleaning and prevents water accumulation, contributes to ensuring that dirt and stagnant water cannot give rise to bacteria in the ventilation air. In this way, healthy and fresh air is assured.

Droplet Eliminator, DE

For air velocities above 2.5 m/s, we recommend installing a droplet eliminator at the outlet end of the coil. This prevents water droplets from being carried along with the air flowing through the duct system. The accumulated water is drained off via the stainless steel drip tray for condensation water.

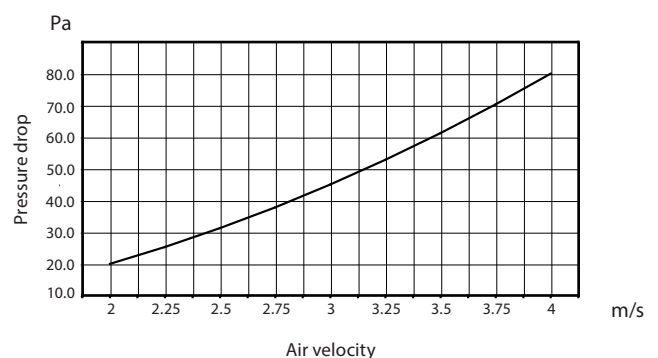
The droplet eliminator is easy to access after having removed the drip tray.

The droplet eliminator must be ordered separately.



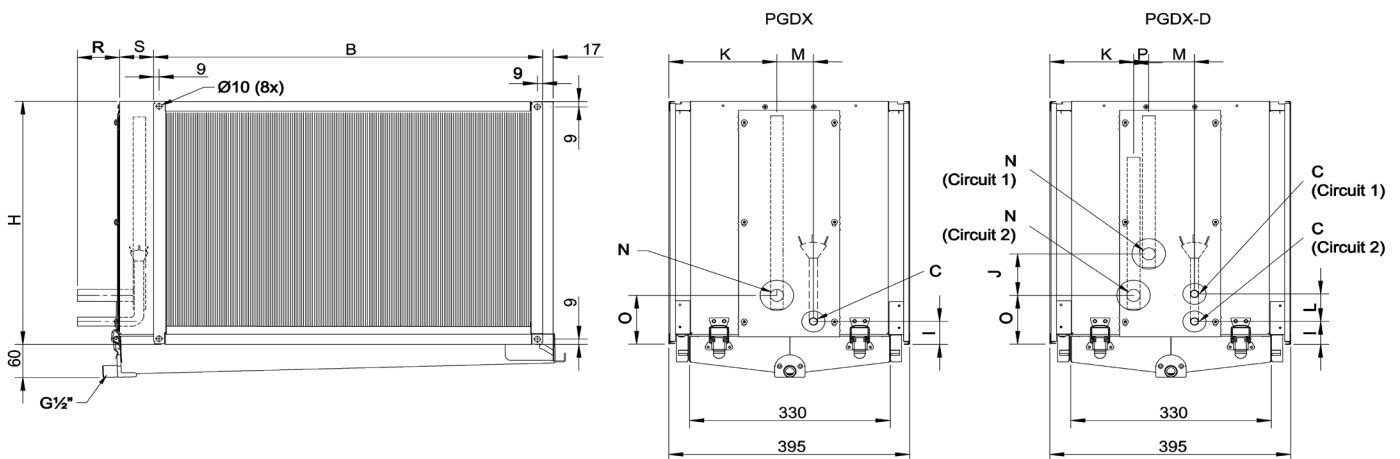
PGDX with droplet eliminator DE installed

Pressure Drop above Droplet Eliminator



Product Range Overview with Dimensional Drawing

Type	B mm	H mm	S mm	R mm	l mm	O mm	K mm	M mm	N ∅	C ∅	Inner pipe volume, l	DE
PGDX 400x200-3-2.5	438	238	56	70	51	201	208		1/2"	3/8"	0.8	DE 40x20
PGDX 500x250-3-2.5	538	288	56	70	40	85	165	67	1/2"	3/8"	1.2	DE 50x25
PGDX 500x300-3-2.5	538	338	56	70	40	85	165	67	5/8"	3/8"	1.4	DE 50x30
PGDX 500x400-3-2.5	538	438	56	70	40	85	165	67	5/8"	3/8"	1.9	DE 50x40
PGDX 600x300-3-2.5	638	338	56	70	40	85	165	67	5/8"	3/8"	1.7	DE 60x30
PGDX 600x350-3-2.5	638	388	56	70	40	85	165	67	5/8"	3/8"	1.9	DE 60x35
PGDX 700x400-3-2.5	738	438	56	70	40	85	165	67	5/8"	3/8"	2.5	DE 70x40
PGDX 800x400-3-2.5	838	438	56	70	40	85	165	67	5/8"	3/8"	2.8	DE 80x40
PGDX 800x500-3-2.5	838	538	86	70	40	85	165	67	7/8"	3/8"	3.6	DE 80x50
PGDX 1000x500-3-2.5	1038	538	86	70	40	85	165	67	7/8"	1/2"	4.4	DE 100x50
PGDX-D 1000x500-3-2,5	1038	538	86	70	40	85	125	67	7/8"	1/2"	4,4	DE 100x50
PGDX 1200x600-3-2,5	1238	638	86	70	40	95	165	63	7/8"	1/2"	6,2	DE 120x60
PGDX-D 1200x600-3-2,5	1238	638	86	70	40	95	125	63	7/8"	1/2"	6,2	DE 120x60
PGDX-D 1400x700-3-2,5	1438	738	86	70	40	95	125	63	19mm	1/2"	8,4	DE 140x70



Project Design/Orders

Description – PGDX / PGDX-D

Duct cooler, VEAB type PGDX, with casing made of aluzinc-coated sheet steel, AZ 185, coil with copper pipes and aluminium fins with hydrophilic coating. Stainless steel drip tray for condensation water. Designed for combined cooling and heating operation using a heat pump with controller. For air velocities above 2.5 m/s, order droplet eliminator, DE.

Type designation PGDX 400x200 - 3 - 2.5
(example)

Size designation

Number of rows of pipes

Fin spacing mm

Specify the following when configuring/ ordering

1. Air flow: - m³/h
2. Inlet air temperature: - °C
3. Outlet air temp. or desired output: - °C or - kW
4. Duct dimensions: - mm
5. Type of coolant:
6. Evaporation temperature: - °C
7. Inlet air humidity: - % RH
8. Possible droplet eliminator



VEAB Heat Tech AB
Tel +46(0)451-485 00
www.veab.com • veab@veab.com
Sweden